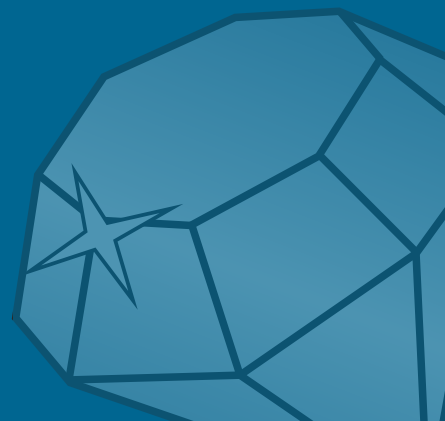


Commercial Systems

Shop Fronts • Entrance Doors • Low Rise Curtain Walling



DURATION
WINDOWS



Strong & Bespoke **Commercial** Windows & Doors



Our commercial range is versatile and economical, offering a wide variety of options to suit every type of location, whether they are retail outlets, reception areas, commercial entrances or shopping centres. All of our products are made-to-measure and manufactured to your exact requirements. We can provide a wide range of glazing options including standard clear tough, easy clean, solar control, tinted and laminated glass.

Commercial doors for your property can be manufactured for manual or electric release. These high security aluminium doors come as standard with anti-finger trap sections and low thresholds, and benefit from an enhanced drainage system.

Our low rise 'Polyamide' thermally broken Curtain Wall gives architects and designers the opportunity to create stunning enveloping vertical glass walls. Our system consist of a suite of profiles, which can produce high performance single and double storey window walling up to 3m high.

Key Features

- Over 200 single or dual RAL colours.
- 'Polyamide' thermally broken profiles for efficiency.
- Can be supplied unglazed or glazed for 28mm or 24mm units.*
- Ideal for new build, replacement and refurbishment projects.
- Optional solar controlled glass available.
- Self cleaning glass available for hard to reach areas.
- Virtually maintenance free and built to last - remaining in a pristine condition for years to come.
- Tested to LPS 1175 level 2 and BS ENV 1627 level 3 for enhanced security at the BRE.
- Complies with Doc.L for thermal transmittance.
- Commercial screens can also be integrated with other products from our range to create a number of opening light options.
- Commercial entrance doors are available with a full range of standard and commercial grade handles and hardware, for security and ease of access.
- Low threshold option and anti-finger trap sections.
- Shuffle glazed system.
- Over head concealed closer with hold open or non hold open feature.

Suitable For

- Shop Fronts.
- Office Buildings.
- Entrance Doors For Schools, Flats, Offices or Shops.
- Panic Exit Doors.
- Low Rise Curtain Walling.
- Communal Halls & Walkways



Public Building Entrances



Low Rise Curtain Walling



90 Degree Bays



Shop Fronts



Entrance Doors

*Double glazed only

Hardware



Pad handles are a solid push and pull style handle that can be provided on our commercial doors as standard.

Ideal for high traffic areas.

Can be manufactured to open in, out or both*.

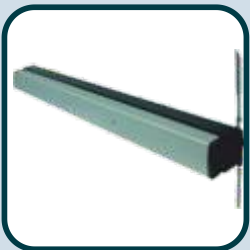


These stainless steel pull handles are specifically designed for commercial applications. They are an extra over cost compared to our standard pad handles.

Ideal for high traffic areas.

Can be manufactured to open in, out or both*.

*Hook locks can only be used on a door opening both in and out.



A concealed panic bar enables for easy exit in case of an emergency. This safety and security device incorporates concealed vertical rods to secure the doors, and you can then push the bar to release them.

Suitable for medium or high duty areas (high duty open out only).



Paddle handles are an alternative to a panic bar. They can be specified for simple push or pull operation for single or double doors. They are an extra over cost compared to our standard pad handles.

Used with dead latch suitable for low traffic areas.

Open in or out only.



Entry trims allow for controlled external access to any door fitted with panic bars. The entry trim overrides the panic bars to allow access.

Suitable for low traffic areas.

Can always be opened from outside once unlocked.

Open in or out only.



An electric strike is an access control device, generally used on apartment buildings, so that the occupants can allow visitors entry from within. An electric strike's ramped surface will, upon command, pivot out of the way of the latch allowing the door to be opened from the outside.

Open in or out only.

ABD only provide the strike plate and no other parts.



The codelock is a mechanical access control keypad and is a nice alternative to electronic keypads, magnetic locks and other electric locking devices. It can be fitted as an external entry trim.

Door will lock once closed and can only be opened from outside with a key or code.

Suitable for low traffic areas.

Open in or out only.

Doors can be manufactured with no handles or locks so your own opening systems / devices can be added on site.

Common Hardware Combinations

200mm Pads or 400mm 'D' Handles:

With 1 hook lock - Additional hook locks can be used.
Key / Key cylinder - Thumb turn to interior is an available option.
Designed for very heavy duty usage.
Perfect for communal halls, shops, large offices or schools.

200mm Pads or 400mm 'D' Handles:

With 1 dead latch.
Electric strike plate.
Thumb turn cylinder.
Additional night locks can be added.
Perfect for entrance management in shops, offices or flats.

Panic Bar

External entry trims can be added.
Low to Heavy* Traffic.
Perfect for communal or school panic / fire exits.

Push Paddles

Thumb turn alternative.
Lighter traffic panic / fire exits.
Perfect for small offices or flats.

Combination Handle

External code lock.
Authorised personnel entry only.
Code free version available.
Perfect for shops, offices, schools, communal halls or where access needs to be limited.
Door locks once shut.

*Heavy traffic if used without entry trim.

Glass



Low Rise Curtain Walling



Commercial Doors



Commercial Fronts

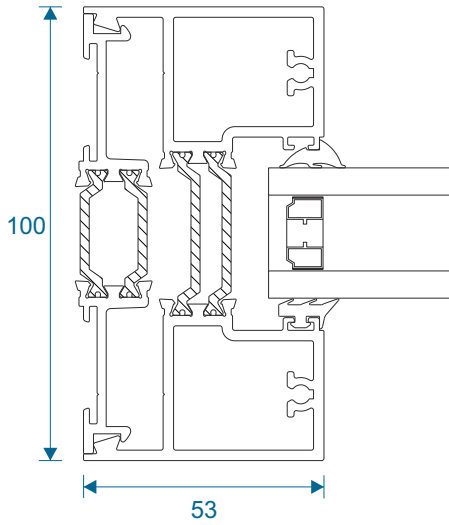


Shop Fronts

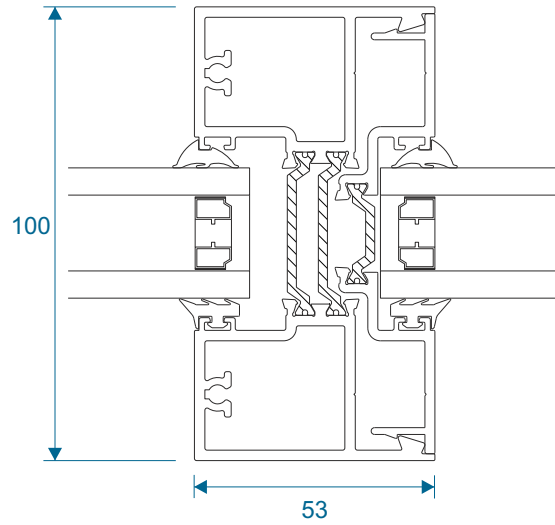
Technical - Shop Fronts & Low Rise Curtain Walling

Commercial Shop Fronts / Low Rise Curtain Walling

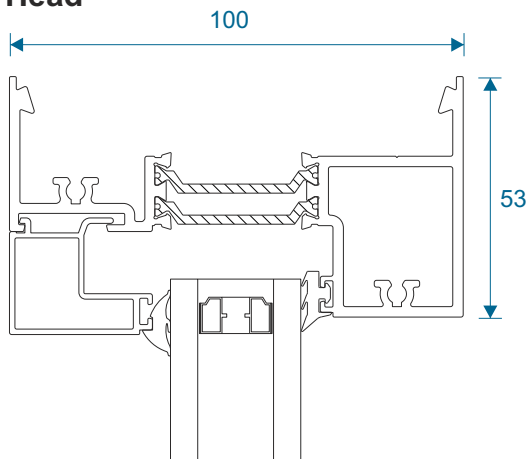
Jamb



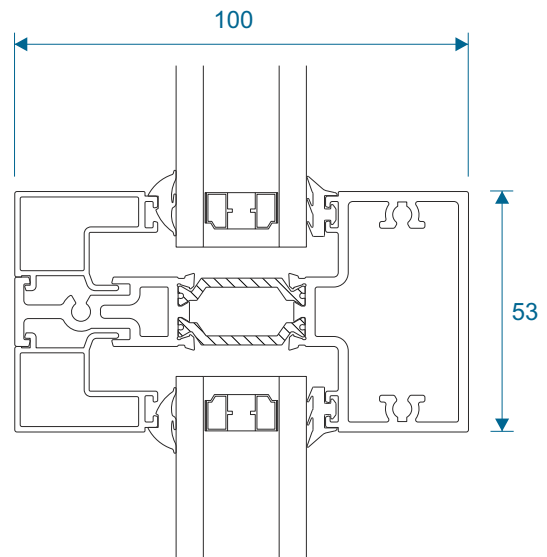
Coupling Frames



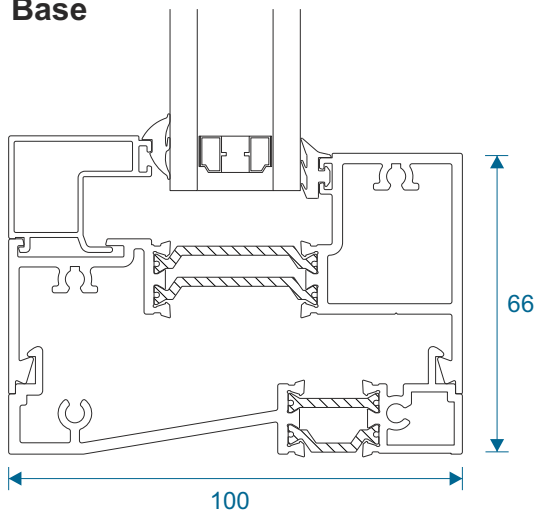
Head



Transom / Mullion

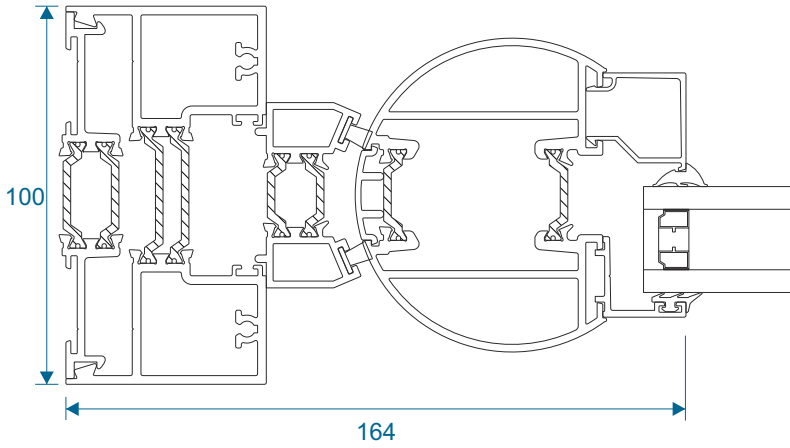


Base

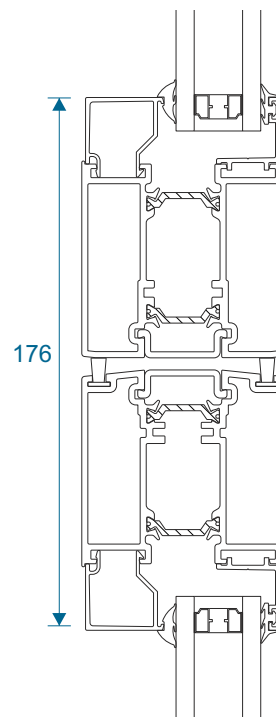


Technical - Commercial Doors

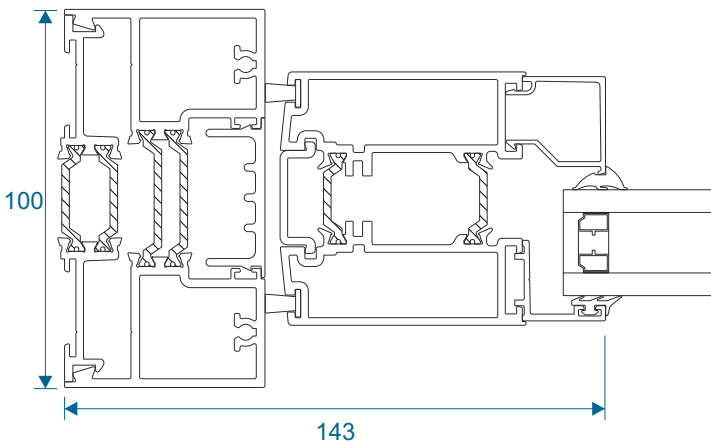
Hinge Jamb



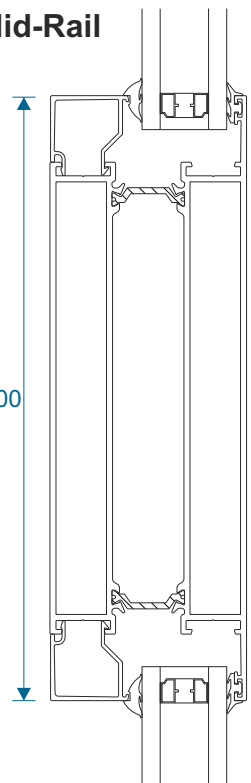
Double Door Meeting Stile



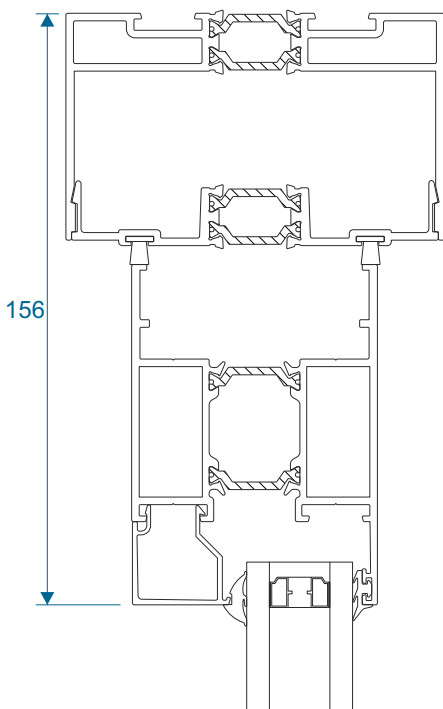
Lock Jamb



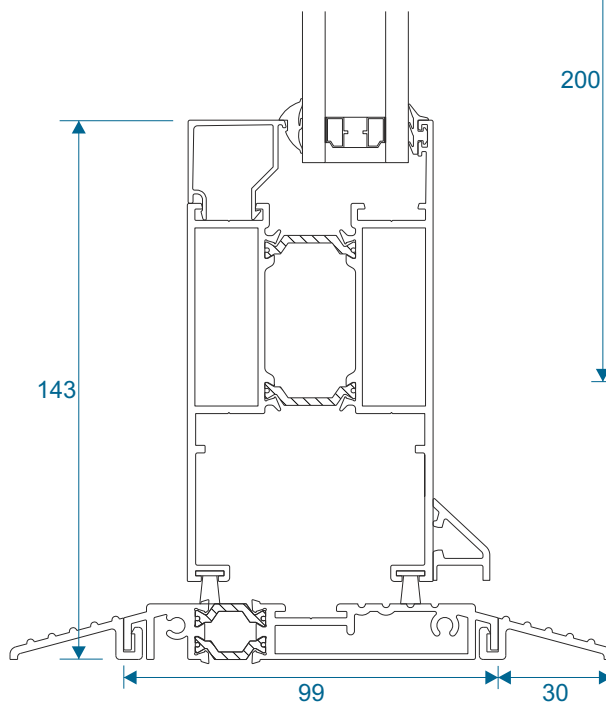
Mid-Rail



Head



Threshold



Main Office & Factory

Units 4-5, t: 01268 681612 (15 lines)
Charfleets Road, f: 01268 510058
Canvey Island, e: sales@duration.co.uk
Essex. SS8 0PQ w: www.duration.co.uk

Grand Design Exhibition Centre

Unit 1 Casino Parade, t: 01268 695100
Eastern Esplanade,
Canvey Island, SatNav Directions
Essex. SS8 7FJ Use: SS8 7DN.